

DIRECT-DRIVE TURNTABLE

KD-700D

INSTRUCTION MANUAL



KENWOOD

PRINTED IN JAPAN B50-4757-00 (M,E) (T)

67890N/354 D12345/454

Before applying power

Important!

U.S.A. and Canada

Units shipped to the U.S.A. and Canada are designed for operation on 120 volts AC only. These units are not equipped with an AC voltage selector switch and the discussion of such a switch that follows should be disregarded.

All other countries

Units shipped to countries other than the U.S.A., Canada and U.K. are equipped with an AC voltage selector switch on the rear panel. Refer to the following paragraph for the proper setting of this switch.

AC voltage selection

This unit operates on 120 volts or 220 volts AC. The AC voltage selector switch on the rear panel is set to the voltage that prevails in the area to which the unit is shipped. Before connecting the power cord to your AC outlet, make sure that the setting position of this switch matches your line voltage. If not, it must be set to your voltage in accordance with the following direction.

Note:

Our warranty does not cover damage caused by excessive line voltage due to improper setting of the AC voltage selector switch.

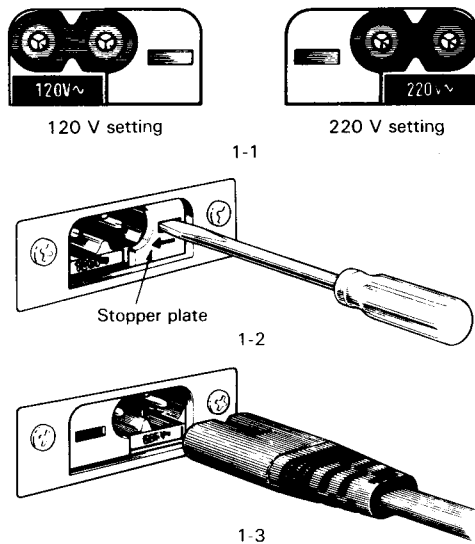


Fig. 1

1. Before plugging in this unit, make sure that the position of the AC voltage selector conforms to your line (mains) voltage. If not, it must be reset. See Fig. 1-1.
2. To reset the selector, slide the stopper plate to the opposite side with a screwdriver or other pointed tool. See Fig. 1-2.
3. Insert the power cord securely. See Fig. 1-3.

For United Kingdom

The mains plug must be removed from the wall socket prior to any internal examination.

Important

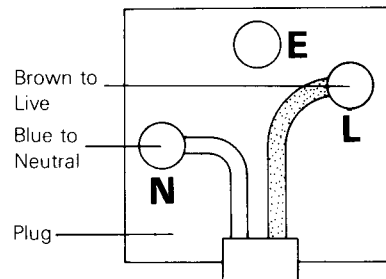
The wires in this mains lead are coloured in accordance with the following code:

Blue Neutral
Brown Live

The wires in this mains lead must be connected to the terminals in the plug as follows:

Wire colour Plug terminal marking

Blue N or Black
Brown L or Red



Notes:

- 1) If a 13-amp plug is used, this must be fitted with a 5-amp fuse.
- 2) If a 3-pin plug with earthing contact is used, no wire must be connected to the E terminal.

WARNING:

TO PREVENT FIRE OR ELECTRIC SHOCK, DO NOT EXPOSE THIS APPLIANCE TO RAIN OR MOISTURE.

Do not operate the motor without installing the platter and do not stop the rotating platter by hand for any length of time. Doing so will damage the turntable.

For your records

Record the serial number, found on the back of the unit, in the spaces designated on the warranty card, and in the space provided below. Refer to the model and serial numbers whenever you call upon your dealer for information or service on this product.

Model KD-700D Serial number _____

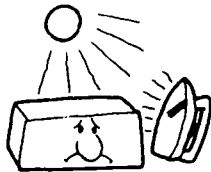
Unpacking

Unpack the unit carefully and make sure that all accessories and cables are put aside so they will not be lost.

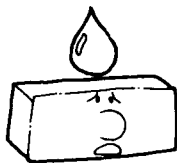
Before operation

Notes on installation

Do not place the unit in a place which is exposed to direct sunlight, near a heating appliance, etc.



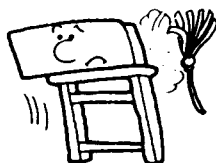
Do not place a vase containing water, makeup, etc. on the unit. Do not use in a humid place.



To maintain good ventilation, do not put records or a table-cloth on the unit. Place the unit at least 10 cm away from the walls.



Choose a location that is relatively free from vibration or excessive dust.



Examine the unit for any possibility of shipping damage. If your unit is damaged or fails to operate, notify your dealer immediately. If your unit was shipped to you directly, notify the shipping company without delay. Only the consignee (the person or company receiving the unit) can file a claim against the carrier for shipping damage.

We recommend that you retain the original carton and packing materials for use should you transport or ship the unit in the future.

Safety precautions

Never remove the case. If the internal parts are touched, accidentally, a serious electric shock might occur.



Never touch internal parts.

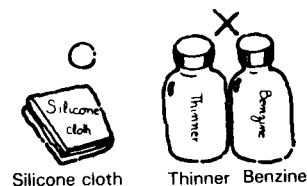
Never pull, bend or extend the power cord. This could damage the power cord, resulting in a broken cord or short-circuit.



Always grasp the plug.

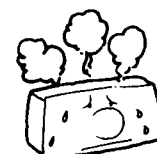
Cleaning

Do not use volatile solvents such as alcohol, paint thinner, gasoline, benzene, etc. to clean the cabinet. Use a silicone cloth or a clean dry cloth.



In case of abnormal smell

If an abnormal smell or smoke is detected, immediately turn the power OFF and pull out the power cord. Contact your dealer or nearest Service Station.



Parts nomenclature

- Check that the packing carton contains all the component parts shown in the figure below before you begin to assemble the turntable.
- See page 5 for assembly procedures.

- You will find the smaller parts inside the polystyrene foam carton.

Head-shell assembly

[Head-shell body, Screws (10mm x 2, 15mm x 2, 20mm x 2), Washers x 2, Nuts x 2]:

or Plug-in head

45 rpm adaptor

Counterweight

Hexagonal bar wrench

- * Before assembling the turntable, remove the transformer retaining screws.

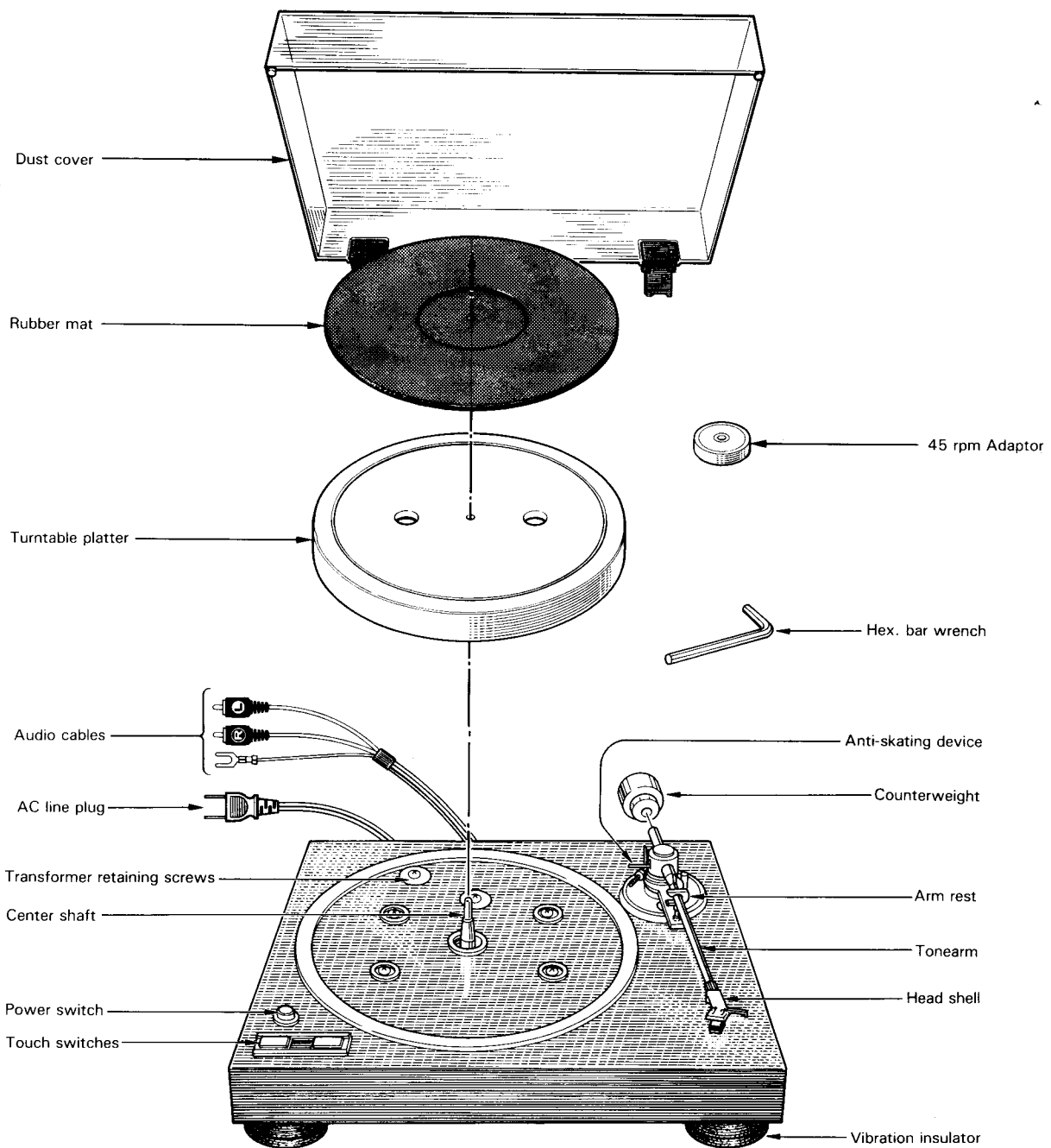


Fig. 2

Assembly

Before proceeding with assembly, install the cartridge in the head-shell as shown on page 6. Be sure to follow steps 1~7 in the sequence given.

1. Removing transformer retaining screws

Remove transformer retaining screws with a (+) screwdriver. Keep these screws for future transportation.

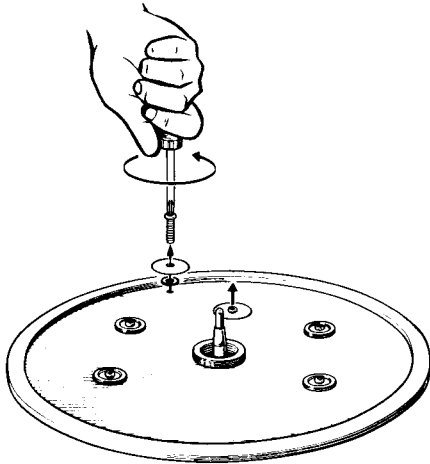
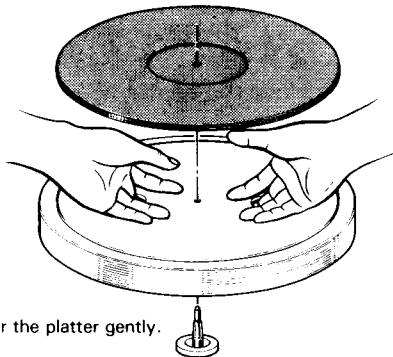


Fig. 3

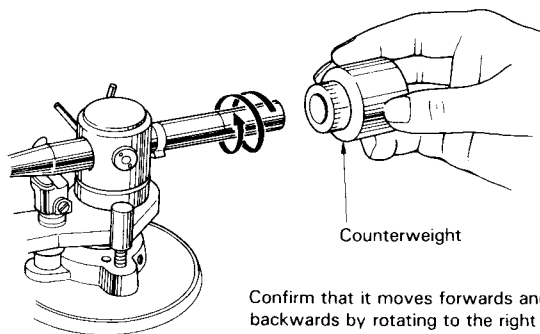
2. Place the turntable platter and rubber mat on the center shaft.



Lower the platter gently.

Fig. 4

3. Attach the tonearm counterweight to the rear of the tonearm.

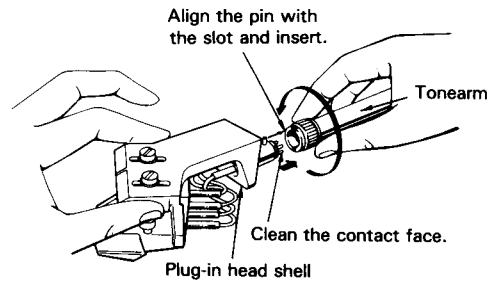


Counterweight

Confirm that it moves forwards and backwards by rotating to the right and left.

Fig. 5

4. Insert the plug-in head into the tonearm.



Turn the locking screw as shown to lock the head-shell in place.

Fig. 6

5. Install the dust cover as shown below.

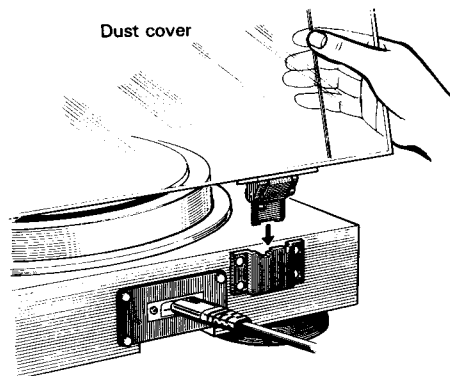


Fig. 7

6. Turn off the power to your amplifier or receiver. Connect the audio cables, then the AC cord.

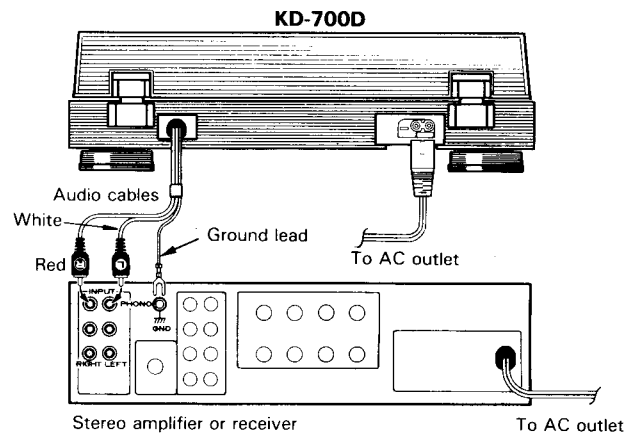


Fig. 8

Note:

For proper setup, refer to installation notes on page 2.

Note:

When connecting an MC head amp, connect the GND cord of the KD-700D to the GND terminal of the head amp. Direct connection of the GND cord to the GND terminal of the amplifier or the receiver will sometimes generate noise.

Attaching the cartridge

7. Levelling the assembly

Close the dust cover. Now check the turntable assembly to make sure that it is perfectly level. To raise any corner, turn the insulator at that corner counterclockwise. Turn insulator clockwise to lower that corner.

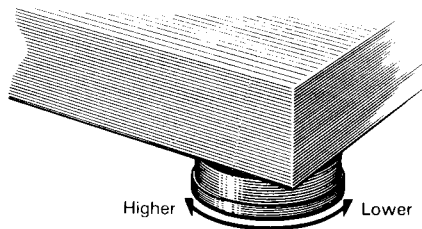
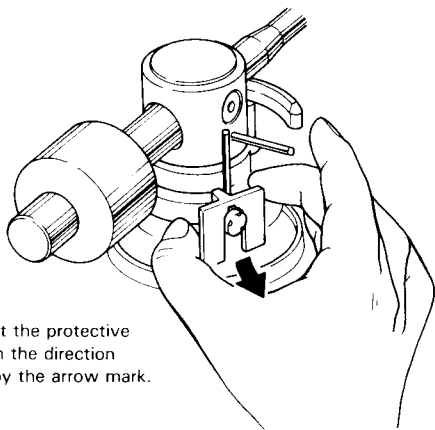


Fig. 9

- Remove the plastic protector before operating this turntable.



Draw out the protective plastic in the direction shown by the arrow mark.

Fig. 10

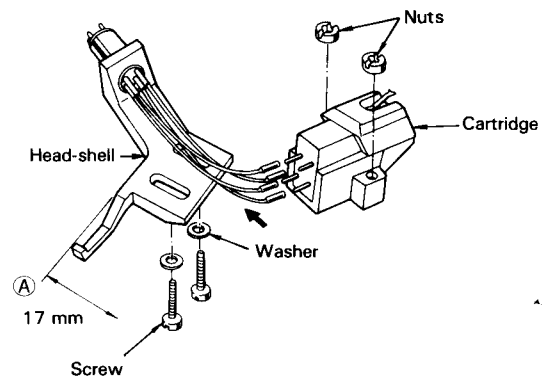
Notes:

The plug-in head can be mounted or removed after completing the following:

- Clamp the tonearm on the rest.
- Turn amplifier volume control to 0 or the power switch to OFF

- This unit is sold without a cartridge. The following shows how to install the cartridge of your choice. The supplied head-shell will accept all commercially available cartridges.

- Carefully insert the connectors of head-shell leads onto the appropriate pins of the cartridge. Refer to Fig. 11 for lead colors. Use tweezers or long-nosed pliers to handle the connectors.



Lead color	
WHITEL(+)
REDR(+)
BLUEL(E)
GREENR(E)

Fig. 11

- Attach the cartridge to the head-shell with the screws, washers and nuts, but do not tighten the screws. Next you must make the overhang adjustment as follows:

The figure below shows the head-shell and cartridge and correct position. Adjust your cartridge to the head-shell accordingly, and lock it in place by tightening the screws securely.

- Use belonging screws of proper length to fasten cartridge.

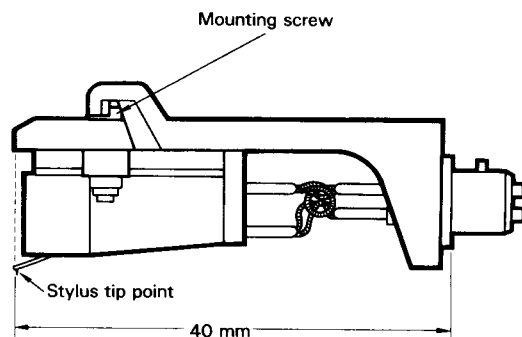


Fig. 12

- Plug the head-shell with the cartridge into the tonearm and readjust tracking force as explained on page 7 so that it conforms to the cartridge manufacturer's recommendation.

Adjusting tonearm

Adjusting stylus pressure

1. Turn the power on.
2. Set the anti-skating weight to the 1g position and free the anti-skating bar.
3. Move the tonearm away from the arm rest. Using the head-shell finger, shift the tonearm to the middle between the arm rest and platter.
4. Press the START/STOP and SPEED selector switches at the same time. The platter does not start rotate and the arm elevator descends. In this condition, tonearm balance adjustment is easy (the 33 or 45 speed indicator blinks).
5. Still supporting the head-shell, turn the counterweight so that the tonearm is balanced.

Set the anti-skating weight to the 1 g position and free the anti-skating bar.

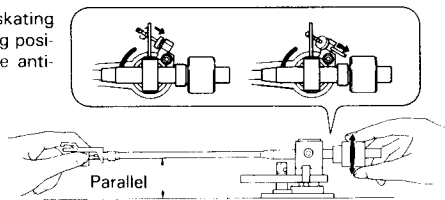


Fig. 13

6. Return the tonearm to the arm rest and set only the counter ring to 0.

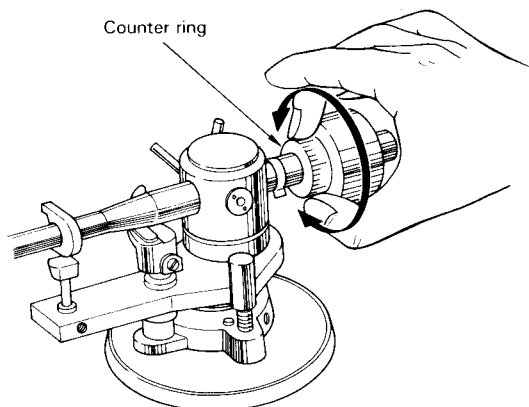


Fig. 14

7. Turn the counterweight clockwise and adjust the stylus pressure to the specified value.

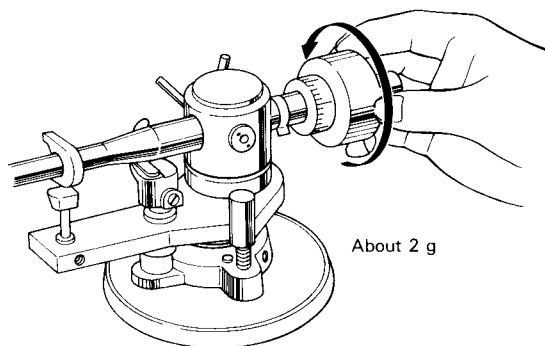


Fig. 15

8. Adjust the anti-skating force to the same value as the stylus pressure.

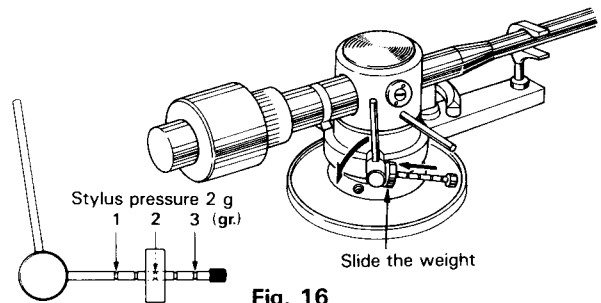


Fig. 16

9. Press the START/STOP switch to rise the tonearm.

Adjusting tonearm height

1. Place record onto the platter.
2. Turn the power on.
3. Move the tonearm from the arm rest onto the record.
4. Press the START/STOP and SPEED selector switches at the same time to lower the tonearm.
5. Sight the parallelism between record surface and tonearm and check the tonearm support height.
6. Press the START/STOP switch to rise the tonearm and return the tonearm to the arm rest.
7. Hold the arm base with your left hand as shown in Fig. 17 and loosen the 2 tonearm height adjusting screws with the hex. bar wrench supplied.
8. Referring to the arm base gauge (graduation: 2 mm), adjust the tonearm height so that the tonearm is parallel to the record surface and tighten the 2 tonearm height adjusting screws.
9. Lower the stylus onto the record and check the parallelism. (If the tonearm is still not parallel, repeat steps 7 and 8.)
10. Return the tonearm to the arm rest and press the START/STOP switch to rise the tonearm.

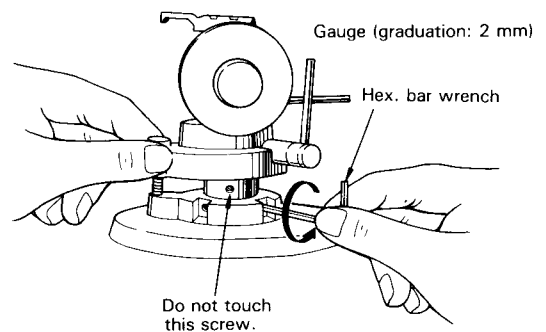


Fig. 17

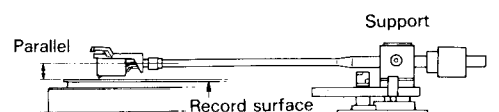


Fig. 18

Record playback

1. Check the stylus pressure, the connections between the turntable and amplifier, and the control position of the amplifier.
 2. Set the POWER switch to ON. The speed indicator (33) lights up.
 3. Place record onto the platter. To play an EP record, use the EP adaptor supplied.
 4. To play at 45 rpm, press the SPEED control switch. The speed indicator (45) lights up.
 5. Using your finger, move the tonearm away from the arm rest and shift it to the lead-in groove of the record.
 6. Press the START/STOP switch. The platter starts to rotate. When the platter speed stabilized, the QUARTZ LOCK indicator lights up, the stylus descends onto the record and playback starts.
 7. When record playback is completed, the arm elevator raises the tonearm, the stylus tip moves away from the record and the platter stops.
 8. Return the tonearm to the arm rest and set the POWER switch to OFF.
- To suspend or stop playback, press the START/STOP switch. The tonearm automatically rises from the record and the platter automatically stops after 4 seconds. To stop the playback, return the tonearm to the arm rest. To resume playback, press the START/STOP switch. The stylus tip descends onto the record surface and playback restarts at virtually same place.
 - Immediately after the POWER switch is set to ON, turntable operation is unstable. Do not operate the turntable immediately after power on.

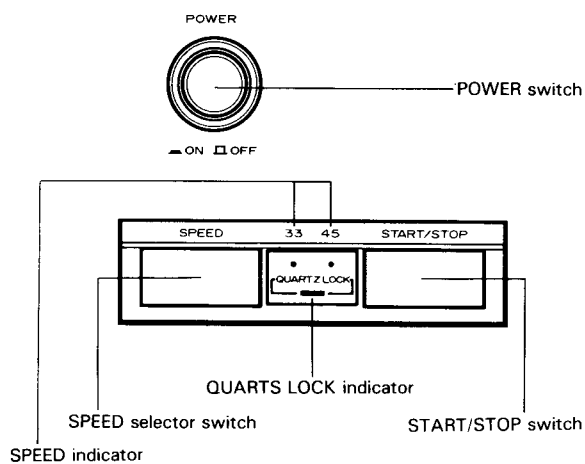


Fig. 19

Maintenance

Motor lubrication

The motor employs permanently-lubricated bearings. It will operate for more than 20,000 hours without attention to lubrication.

Periodic check-up

Because a turntable is a mechanical device it is subject to the effects of wear and misadjustment that occurs due to normal handling. Even if your unit appears to function normally, a periodic check-up at intervals of two years or so is recommended to ensure a long service life and proper operation. Check with your dealer or authorized service representative.

Stylus life

The stylus point is very delicately made and it should be handled with great care. Dust accumulating at the tip should be removed with a soft brush by brushing off lightly. A stylus is good for playing a 30 cm (12 inch) LP record about 500 times, but this varies greatly depending on how it is used.

A worn stylus will cause treble tones to increase in harshness. The stylus should be replaced as soon as this becomes noticeable. This will prevent record wear.

Transport notes

When the unit must be moved to another place because of a change of residence, etc., it should be correctly packed in the packing materials furnished at the time of purchase. Even if these packing materials have been discarded, the unit must be disassembled into **the turntable, the counterweight, the plug-in head (head-shell + cartridge) and the dust cover**. These components should be packed separately for transport.

In case of difficulty

If your unit should not perform as expected, consult the table below to see if the problem can be corrected before seeking help from your dealer or service representative.

Symptom	Cause	Correction
The SPEED indicator (33) does not light up at power on.	Power cord is disconnected.	Connect the power cord to the AC outlet.
No sound from both left and right channels or one channel.	<ol style="list-style-type: none"> 1. Turntable output cable or cables disconnected. 2. Poor connection of head-shell connector. 3. The function switch of the amplifier is not set to PHONO. 	<ol style="list-style-type: none"> 1. Check connections to amplifier. 2. Install the head-shell in the tonearm correctly. 3. Set the function switch to PHONO.
The bottom of the cartridge comes into contact with the record surface.	The tracking force is too large.	Readjust the tracking force.
Loud hum, no music.	<ol style="list-style-type: none"> 1. Poor connection of turntable output cables. 2. Poor plug-in head connection. 	<ol style="list-style-type: none"> 1. Make solid connections to amplifier. 2. Make solid connections.
Loud hum with music.	<ol style="list-style-type: none"> 1. Turntable output cable picking up hum from AC cord. 2. The ground wire of the turntable is not connected to GND terminal of the amplifier. 	<ol style="list-style-type: none"> 1. Separate output cables from AC cord or reverse AC cord plug. 2. Connect the ground wire to the GND terminal of the amplifier. (With some cartridges, this is not necessary.)
Buzzing noise with music.	Turntable output cable picking up TV signal.	Relocate output cord for minimum pickup.
Howling drowns out music when volume is increased.	Speaker vibration is picked up by turntable.	Separate turntable from speakers.
Turntable platter does not turn.	Poor AC plug contact.	Check connection. Make sure AC outlet is active.
Poor tracking.	<ol style="list-style-type: none"> 1. Excessive dust on record or stylus. 2. Tracking force is too light or heavy. 	<ol style="list-style-type: none"> 1. Remove dust from stylus or record. 2. Adjust the tracking force to the specified value.
The platter does not rotate, the SPEED indicator (33) or (45) flickers and the tonearm is lowered.	The START/STOP switch is pressed while the SPEED selector switch is pressed.	Press the START/STOP switch.

Specifications

Motor and turntable

Drive System	Direct-drive system
Motor	Quartz PLL coreless & slotless DC servo motor
Turntable Platter	33 cm (13") diameter Aluminum alloy, die-cast
Speeds	2 speeds, 33-1/3 and 45 rpm
Wow & Flutter	Less than 0.02% (WRMS)
Rumble	DIN weighted better than -80 dB DIN unweighted better than -55 dB

Tonearm

Type	Static-balance type, straight tubular arm, EIA plug in connector
Effective Arm Length	245 mm (9-5/8")
Overhang	15 mm (9/16")
Tracking Error	+1.8° to -1.0°
Tracking Force Range	0 to 3 grams (0.1 g Step)
Usable Cartridge Weight	4.5 to 12 grams (with equipped head-shell)

Miscellaneous

Power Requirements	AC 120 V/220 V (Switchable), 50 Hz
Power Consumption	22 watts (European Model), 20 watts (Hong-Kong Model)
Dimensions	W 490 mm (19-5/16") H 162 mm (6-3/8") D 410 mm (16-5/32")
Weight	12.0 kg (26.4 lb)
Supplied Accessories	45 rpm adaptor, Low capacitance phono cables, Hexagonal bar wrench

Note:

We follow a policy of continuous advancements in development. For this reason specifications may be changed without notice.
